

HUIHE

ShangHai HuiHe I.T. CO ., LTD.
RM301, No27, BaZi Qiao RD, FengPu, ShangHai , CHINA
Tel: **+86-021-6710-9059** Fax: **+86-021-6710-9589**
E-mail: **joyce@well-ton.com** Http://**www.well-ton.com**

Pb Free

RoHs

DATA SHEET

PART NO. : HH-20RD-120

REV : A / 1

CUSTOMER'S APPROVAL : _____

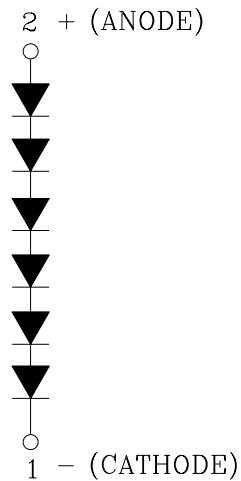
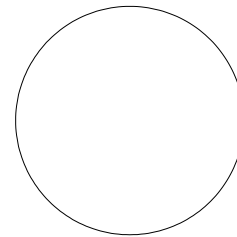
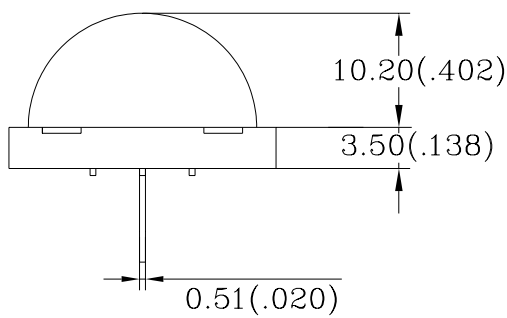
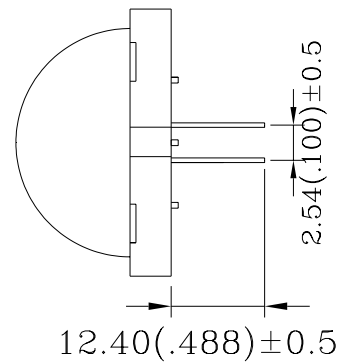
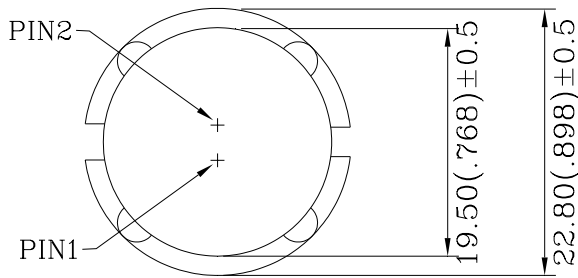
DCC : _____

DRAWING NO. : DS-17-07-0105

DATE : 2007-10-29

Page : 1

PACKAGE DIMENSIONS



- NOTES : 1. All dimensions are in millimeters. (inches)
2. Tolerance is $\pm 0.25(0.010)$ unless otherwise specified.

FEATURES

- * 20.0mm Dia BIG LED LAMP
- * LOW POWER REQUIREMENT
- * CAN BE USED WITH PANEL AND LEGEND MOUNT
- * SUITABLE FOR MULTIPLEX OPERATION
- * EASY MOUNTING ON P.C.B
- * Pb FREE PRODUCTS
- * RED SEGMENTS

Raw Material : GaAlInP/GaAs

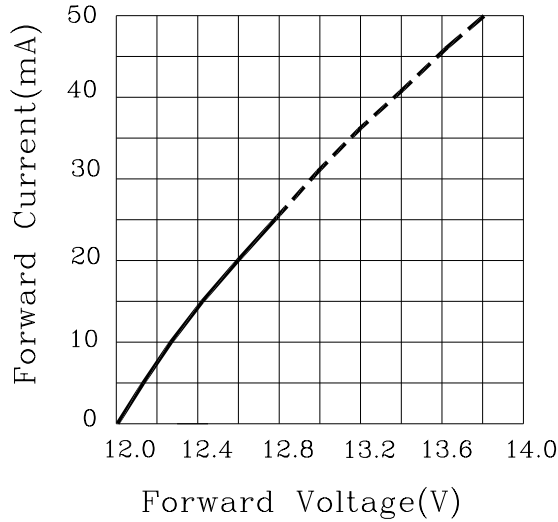
ABSOLUTE MAXIMUM RATING : (Ta = 25°C)

SYMBOL	PARAMETER	ULTRA ORANGE	UNIT
PD	Power Dissipation Per Bar	390	mW
VR	Reverse Voltage Per Bar	30	V
IAF	Continuous Forward Current Per Bar	25	mA
-	Derating Linear From 25°C Per Bar	0.33	mA/°C
Topr	Operating Temperature Range	- 35°C to 85°C	
Tstg	Storage Temperature Range	- 35°C to 85°C	

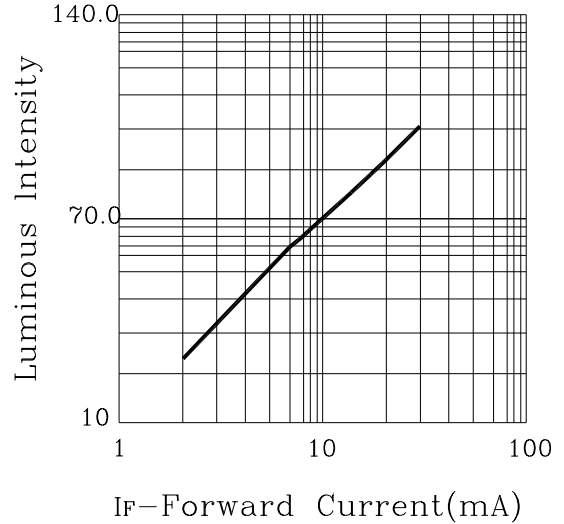
ELECTRO-OPTICAL CHARACTERISTICS : (Ta = 25°C)

SYMBOL	PARAMETER	TEST CONDITION	MIN.	TYP.	MAX.	UNIT
VF	Forward Voltage , Per Bar	IF = 20mA		12		V
IR	Reverse Current , Per Bar	VR = 30V			100	μA
λP	Peak Emission Wavelength	IF = 20mA		630		nm
λD	Dominant Wavelength	IF = 20mA		610		nm
Δλ	Spectral Line Half - Width	IF = 20mA		17		nm
IV	Luminous Intensity Per Bar	IF = 10mA		60.0		mcd

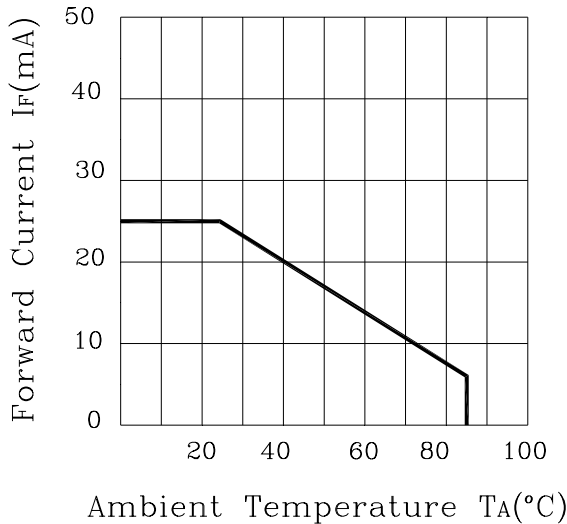
FORDWARD CURRENT Vs. FORDWARD VOLTAGE



LUMINOUS INTENSITY Vs. FORWARD CURRENT



FORDWARD CURRENT DERATING CURVE



LUMINOUS INTENSITY Vs. AMBIENT TEMPERATURE

